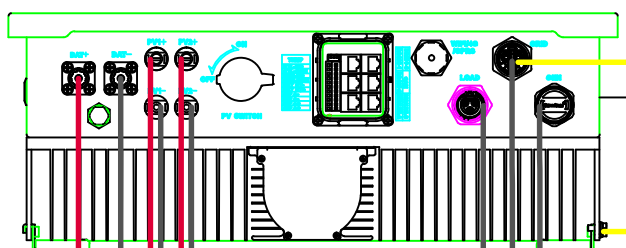
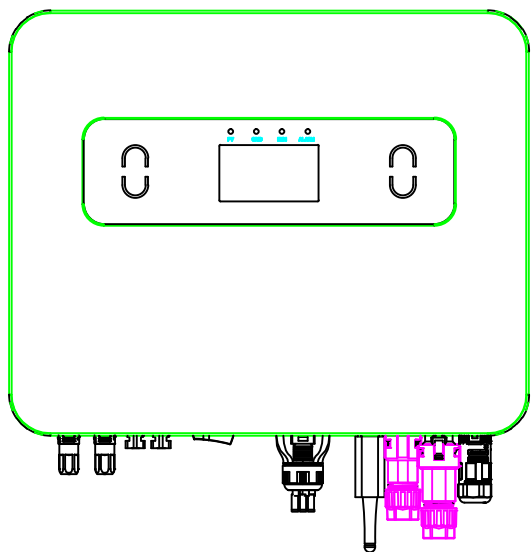


Front of inverter



Hybrid Energy Storage Inverter
 Rated power:4kW
 Rated output voltage:230V
 Battery voltage range:40-60Vdc

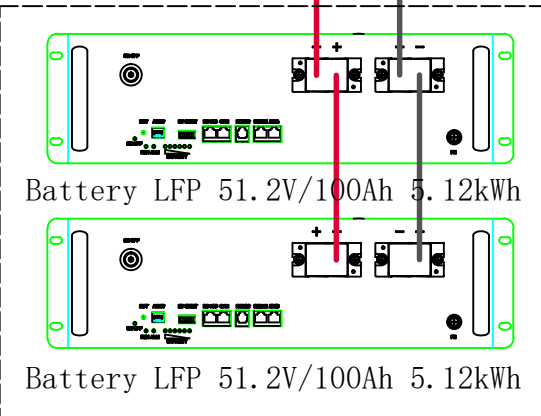
Battery cables
 BVR 450/750 1*25mm²

Ground cables
 BVR 450/750 1*6mm²

AC cables
 RVV 300/500 3*6mm²

Power distribution box

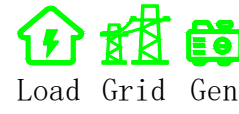
AC breaker
 2P C32



Battery LFP 51.2V/100Ah 5.12kWh

Battery LFP 51.2V/100Ah 5.12kWh

Battery pack
 Voltage:51.2V
 Specifications:200Ah
 Capacity:10.24kWh

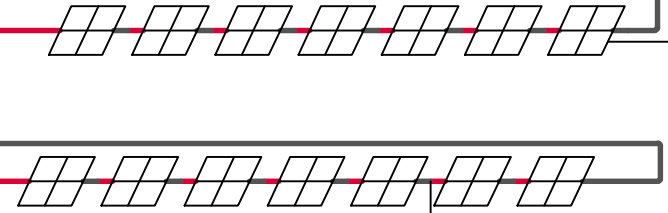


Load Grid Gen

PV cables
 PV1-F 1*4mm²

PV string 2
 PV modules number:7
 Max power:3850W

PV module
 Max power:550W
 Vmp:41.96V
 Imp:13.11A
 Voc:49.90V
 Isc:14.00V



PV string 1
 PV modules number:7
 Max power:3850W

Autodesk

Autodesk

A

B

C

D

E

F

G

H

REV.	DESCRIPTION	DATE
0		2024.09

REGISTERED STAMP

PRINT STAMP

DESIGNER

OWNER

PROJECT NAME

Designed By		Project No.	
Checked By		Des. Stage	
Reviewed By		Discipline	
Setup Manager		Scale	
Project Manager		Sheet No.	

Drawing No.